

TAURUS



GREENLINE

balers&shears

biblo-baler

BIBLO

BIBLOBALER consists of a **3, 4** meters squeeze-box, 1 or 2 cylinders each lid, 1 cylinder on the ejecting door, 1 main compression cylinder, operator cab (if requested).

The internal surfaces of **BIBLOBALER** squeeze-box are with "integrated" highly wear-resistant steel.

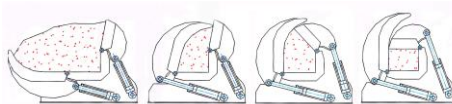
BIBLO squeeze-box guarantees high speed processing of any type of material.

The machine works directly on the ground, does not require foundations and permissions.

BB balers are medium size and medium duty machines.

		BB44	BB55
● box length	m	3	4
● box width	m	1,6	1,8
● cylinders per lid	n°	1	2
● squeezing force of each lid	t	105	165
● bale dimensions	mm	400x400	500x500
● main compression force	t	135	135
● specific load	Kg/cm ²	84	66
● approximate hour production	up to t/h	6	10
● approximate bale density (fe)	t/m ³	>1,2	>1,1
● power			
● diesel engine	Hp	80	120
● electric motor	Kw	45	75
● approximate baler weight	t	18	26
● category	MS	Medium Size	
● type of use	MD	Medium Duty	

- destination of use (scrap typology can be processed)



- cars bodies parts
- white goods
- light scrap
- appliances
- miscellaneous
- non ferrous scrap (including aluminum, cans, stainless steel, copper...)



compact-baler

BIBLO

COMPACT BB baler consists of a "one-piece" structure.

5/6 meters squeeze-box, 2 cylinders each lid, 1 cylinder on the eject door (on demand), one main compression cylinder (on request 2 opposite main cylinders are possible), operator cab (if requested).

In the rear part of the structure, on the opposite side of the baler frame, a platform develops integral with the baling-box.

Under the platform is placed the main compression cylinder, the diesel tank, the batteries, the electric and hydraulic components, sideways the platform is placed the electric motor or diesel engine necessary for the independent running of the machine.

The internal surfaces of BB squeeze-box are with "integrated" highly wear-resistant steel.

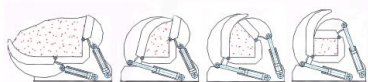
The machine works directly on the ground, does not need foundations and permissions.

Biblo squeeze-box guarantees high speed baling of any type of material.

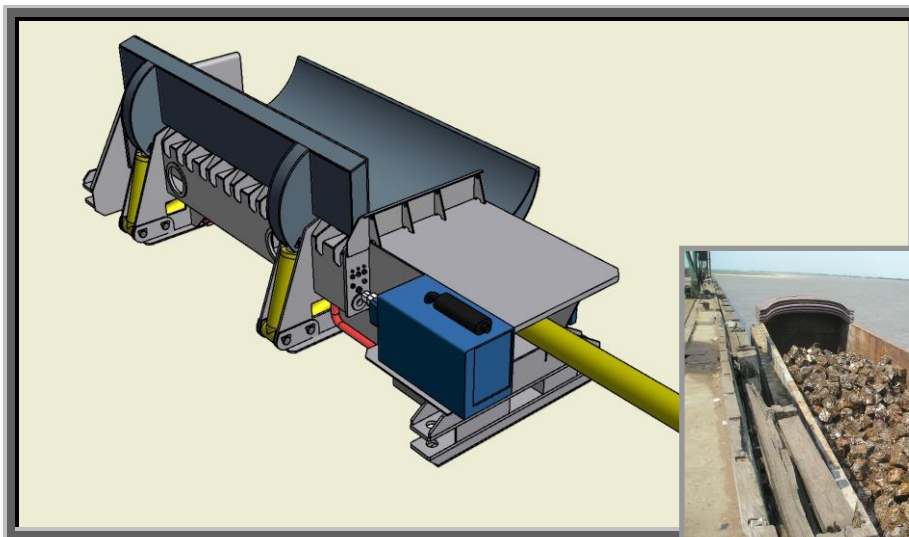
BB one-piece baler is medium size machine.

		BB66	BB106
● box length	m	5	5
● box width	m	2	2,6
● squeeze force of each lid	t	200	200
● bale dimensions	mm	600x600	1000x600
● main compression force	t	160	160
● approximate hour production	t/h	20÷25	20÷30
● approximate bale density (fe)	t/m ³	>1,2	0,8÷1,2
● power			
● diesel engine	Hp	120	180
● electric motor	Kw	75	90
● approximate baler weight	t	24	30
● category	MS	Medium Size	
● type of use	MD	Medium Duty	

- Destination of use
(Scrap typology can be processed)



- cars bodies parts
- white goods
- light scrap
- appliances
- miscellaneous



compact - transbaler

BIBLO

COMPACT BBJ transbaler consists of a “one-piece” structure equipped with 4 lifting jacks to allow loading on semitrailer, the maximum lifting height is 1100 mm.

5/6 meters squeeze-box, 2 cylinders each lid, 1 cylinder on the eject door (on-demand), one main compression cylinder (on request 2 opposite main cylinders are possible), operator cab (if requested).

The main compression cylinder is retractable in order to reduce overall dimensions during transport.

In the rear part of the structure, on the opposite side of the baler frame, a platform develops integral with the baling-box. Under the platform is placed the main compression cylinder, the diesel tank, the batteries, the electric and hydraulic components. Sideways the platform is placed the electric motor or diesel engine necessary for the independent running of the machine.

The internal surfaces of **BBJ** squeeze-box are with “integrated” highly wear-resistant steel.

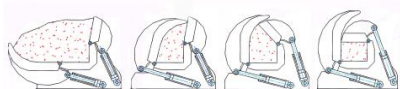
Biblo squeeze-box (**patented**) guarantees high speed baling of any type of material.

The baler works directly on the ground and the 4 cylinders are used to stabilize the machine.

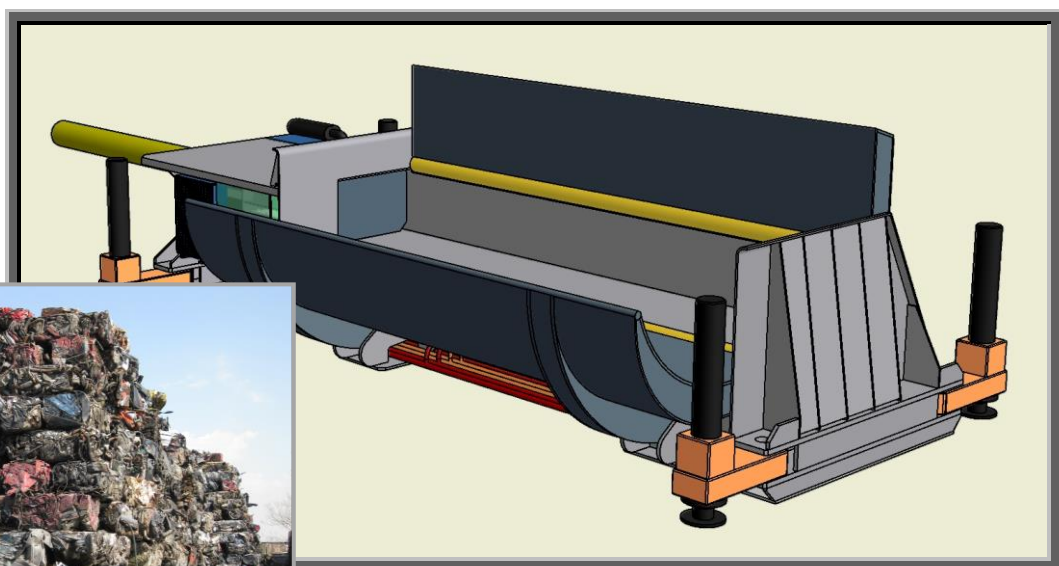
BBJ transbaler is medium size machine for medium duty.

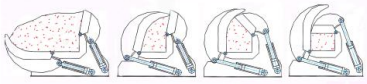

		BB66J	BB106J
● box length	m	5	5
● box width	m	2	2,6
● squeeze force of each lid	t	200	200
● bale dimensions	mm	600x600	1000x600
● main compression force	t	160	160
● approximate hour production	b/h	20÷25	25÷30
● approximate bale density (fe)	t/m ³	>1,1	0,8÷1,2
● diesel engine	Hp	120	180
● approximate baler weight	t	26	32
● category	MS	Medium Size	
● type of use	MD	Medium Duty	

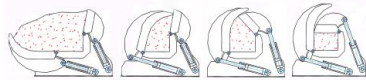

- Destination of use
(Scrap typology can be processed)



- Cars bodies
- Cars bodies parts
- white goods
- light scrap
- miscellaneous



biblo baler&shear		BIBLO	
<p>BIBLO baler&shears are medium size and medium duty machines. BS static baler&shear has a 5 meters squeeze-box, 1 or 2 cylinders on each lid, 1 cylinder on the shear head, 1 main compression cylinder, operator cab (if requested). The surfaces in contact with scrap are with "integrated" highly wear-resistant steel. The machine works directly on the ground, does not need foundations. The precompression-box permit high squeeze speed. Shear&balers of this group, besides shearing the scrap, can produce bales, that are automatically ejected.</p>			
		BS444	BS455
● cutting force	t	400	400
● squeeze box length	m	5	5
● squeeze box width	m	1,6	1,8
● squeeze force of each lid	t	105	165
● bale dimensions	mm	400X400	500X500
● main compression force	t	135	135
● approximate hour production	t/h	4÷6	6÷8
● power			
● diesel engine	Hp	120	120
● electric motor	Kw	75	75
● approximate shear weight	t	32	40
● category	MS	Medium Size	
● type of use	MD	Medium Duty	
● Destination of use (Scrap typology can be processed)		● cars bodies parts	
		● white goods	
		● light scrap	
		● miscellaneous	
			
			

compact baler&shear		JUNIOR		
BIBLO	<p>JUNIOR static balers&shear consists of a “one-piece” structure. In the rear part of the structure, on the opposite side of the shear frame, a platform develops integral with the squeeze-box.</p> <p>Under the platform is placed the main compression cylinder, the diesel tank, the batteries, the electric and hydraulic components, sideways the platform is placed the electric motor or diesel engine necessary for the independent running of the machine.</p> <p>The precompression-box (patented) permit to easily reduce the volume of bulky scrap</p> <p>JUNIOR shear&baler is medium size machine.</p> <p>The surfaces of the shear&baler in contact with scrap are with “integrated” highly wear-resistant steel.</p> <p>The machine works directly on the ground, does not need foundations and permissions.</p> <p>Shear&balers of this group, besides shearing the scrap, can produce bales, that are automatically ejected</p>			
			J566	J552
● cutting force	t	500	500	500
● squeeze box length	m	5	5	6,1
● squeeze box width	m	2	2,6	2,6
● squeeze force of each lid	t	200+200	200+200	200+200
● bale dimensions	mm	600X600	900X600	900X600
● main compression force	t	160	160	160
● approximate hour production	t/h	8	12	12
● power				
● diesel engine	Hp	120	250	250
● electric motor	Kw	90	110	110
● approximate shear weight	t	38	46	50
● category	MS		medium	
● type of use	MD		medium	
● Destination of use (Scrap typology can be processed)			● cars bodies	
			● white goods	
			● light scrap	
			● miscellaneous	
				
				

compact transbaler&shear JUNIOR

Loading-unloading **JUNIOR** shear-baler consists of a “one-piece” structure equipped with 4 lifting jacks to allow loading on the semitrailer, the maximum lifting height is 1100 mm. In the rear part of the structure, on the opposite side of the baler frame, a platform develops integral with the squeeze-box.

Under the platform is placed the main compression cylinder, the diesel tank, the batteries, the electric and hydraulic components, sideways the platform is placed the diesel engine necessary for the independent running of the machine.

The main compression cylinder is retractable in order to reduce overall dimensions during transport.

JUNIOR transbaler&shear is medium size machine.

The surfaces of the shear&baler in contact with scrap are with “integrated” highly wear-resistant steel.

Shear&balers of this group, besides shearing the scrap, can produce bales, that are automatically ejected

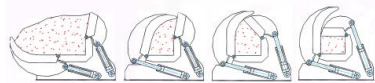
The shear-baler works directly on the ground and the 4 lifting cylinders are used to stabilize the machine.

JUNIOR squeeze-box guarantees high speed processing of any type of material.

Baler&shear of this group, besides shearing scrap, can produce bales, that are automatically ejected.

		JJ566	JJ552	JJ562
● cutting force	t	500	500	500
● squeeze box length	m	5	5	6,1
● squeeze box width	m	2	2,6	2,6
● squeeze force of each lid	t	200+200	200+200	200+200
● bale dimensions	mm	600X600	900X600	900X600
● main compression force	t	160	160	160
● approximate hour production	t/h	8	12	12
● diesel engine	Hp	120	250	250
● approximate shear weight	t	40	48	52
● category	MS		medium	
● type of use	MD		medium	

● destination of use
(scrap typology can be processed)



- cars bodies
- white goods
- light scrap
- miscellaneous

