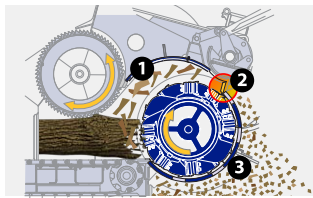


1710D Horizontal Grinder

Powerful results from our most compact grinder



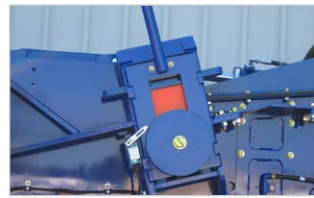
3-Stage Grinding Process Provides Faster Reduction

Peterson's powerful up-turn 3-stage grinding process provides better fracturing of material and a more consistent product, giving you just the product your buyers are looking for.



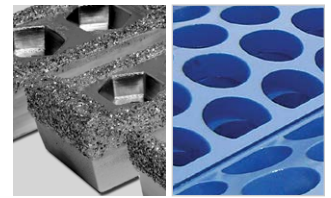
The Impact Release System Protects Your Investment

Peterson's patented Impact Release System's air bags provides uniform grinding and protection from contaminated feedstock, a feature unique to Peterson grinders.



The Second Line of Defense: The Impact Cushion System

Urethane cushions and shear pins help protect the mill from catastrophic damage in the event of a severe impact from contaminants in the feedstock.



Use Peterson Bits and Grates for The Best Quality Product

Peterson offers a wide variety of durable, long-lasting bits and grates to enable you to produce exactly the products your customers demand.

Heavy duty and mobile, the 1710D Horizontal Grinder can readily reduce a wide range of materials.

The 1710D's large feed opening, measures 54" x 27" (137 x 69 cm). When boosted by Peterson's high-lift feed roll, the feed opening's maximum lift of 41.5 inches (105 cm) can tackle the largest of feedstock, and allows excellent accessibility to the rotor for maintenance.

The 1710D Horizontal Grinder is equipped with a Caterpillar Tier IV C9.3B 455 hp (433 kW) engine, or an optional, export-only C9.3B Tier III,

415 hp (309 kW) engine. At 46,500 pounds (21 092 kg), it is one of the lightest of Peterson's grinder series, and is easily transportable.

Peterson's Adaptive Control System, featuring a fully adjustable feed system, is optimized for a wide range of materials. The 1710D control panel features a large display that provides the operator with complete engine and system parameters to simplify set up and efficiently operate the unit.

The 1710D also features Peterson's patented Impact Release System, to protect the machine against

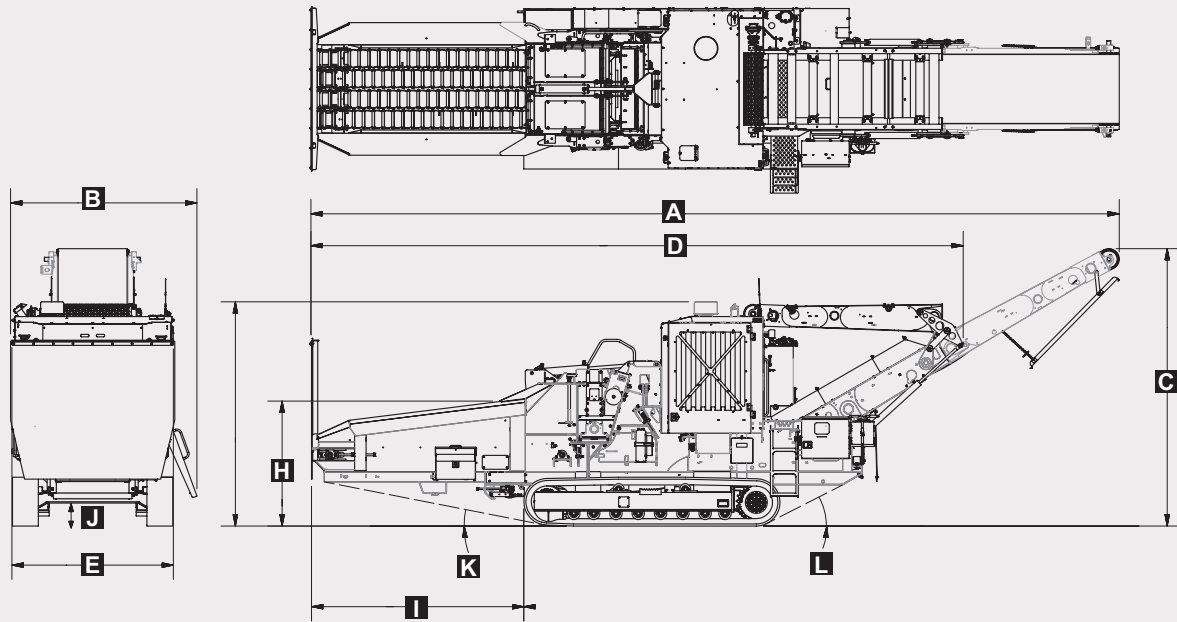
ungrindable materials, a feature unique to Peterson horizontal grinders.

The 1710D Horizontal Grinder features a quick-change multiple grate system, making it easy to customize grate configurations. Grates are removed through an easy-access door on the side wall. With Peterson's patented up-turn rotor, and heavy-duty bits, and robust anvil, the 1710D has an exceptional wear life and accurate product sizing.



Peterson
an Astec Industries Co.

1710D Dimensions



1710D Specifications

Dimensions

	Folding Conveyor	Compact Conveyor
A Operating Length*	41' 1" (1250 cm)	33' 1" (1008 cm)
B Operating Width		9' 6" (288 cm)
C Operating Height	14' 1" (429 cm)	11' 5" (348 cm)
D Travel Length*		33' 1" (1009 cm)
E Travel Width		8' 2" (250 cm)
F Travel Height		11' 5" (348 cm)
G Hopper Length		10' 9" (328 cm)
H Hopper Height		6' 4" (193 cm)
I Front to Track Length		10' 9" (328 cm)
J Ground Clearance		14" (36 cm)
K Front Angle of Approach		11°
L Rear Angle of Approach		27°

Estimated Weights

Machine Weight	46,500 lbs (21 092 kg)
----------------	------------------------

Powertrain

Engine	Caterpillar C9.3B Tier IV, 455 hp (339 kW)
<i>export only</i>	Caterpillar C9.3B Tier III, 415 hp (309 kW)
Clutch	PT Tech SCT 2500
Fuel Tank Capacity	146 US gal (553 L)
Main Hydraulic Tank Capacity	72 US gal (272 L)
DEF Tank Capacity (Tier IV Only)	17 US gal (65 L)

Tracks

Track Type and Width	triple grouser, 15.75" (40 cm)
Travel Speed	0.7/1.3 mph (1.1/2.1 kph)
Ground Pressure	11.5 lbs/in ² (0.81 kg/cm ²)

System Controls

- Peterson Adaptive Control System
- Radio Remote
- Peterson+* Analytics

Feed System

Hopper Capacity	3.2 yd ³ (2.5 m ³)
Feed Chain	4 sections, full hopper width
Feed Conveyor Width	4' 6" (137 cm)
Feed Opening (width x height)	54" x 27" (137 x 69 cm)
Land Clearing Mode	54" x 41.5" (137 x 105 cm)
Compression Roll diameter (tip to tip)	24" (61 cm)

Rotor

Rotor Speed	10,000 fpm (3050 mpm) @ 2200 rpm (engine)
Drum Rotor Shaft Size	4.33" (110 mm) @ bearing, 4.75" (120 mm) @ center
Rotor Width	55.5" (141 cm)
Rotor Diameter	26.5" (67 cm)
Bit Size (width x height)	2.5" x 4.5" (63 x 114 mm)
Number of Bits	22 drum rotor, 20 pinned rotor

Grates

Number of Grate Sections	3
Total Grate Area	15.6 ft ² (1.5 m ²)
Grate Coverage	174°
Grate Thickness	3/4" (19 mm)

Discharge System

Discharge Conveyor Width	3' 6" (107 cm)
Compact Discharge Conveyor Height	9' 7" (292 cm)
Folding Discharge Conveyor Height	14' 1" (429 cm)
Conveyor Speed	500 or 600 fpm (152 or 183 mpm)

Production* per hour

Engine	Greenwaste	Scrap Board
C9.3B	140 yd ³ (107 m ³)	185 yd ³ (141 m ³)
	39 US tons (35 tonnes)	30 tons (27 tonnes)

*Actual output may vary due to moisture content, material density and size, support equipment, and grate size. Production rates are based on operating 50 minutes per hour.

Optional Equipment

Liquid Injection System	Cold Weather Kit
Feed Tailgate	Flat Feed Deck
Magnetic Head Pulley	LED Work Lights
Crossbelt Magnet	CE Certification
Export Kit	Dust Control
	Folding Discharge Conveyor

PETERSON an Astec Industries Company

PO Box 40490 • Eugene, OR 97404 • Tel 800.269.6520 Fax 541.689.0804 • www.petersoncorp.com

