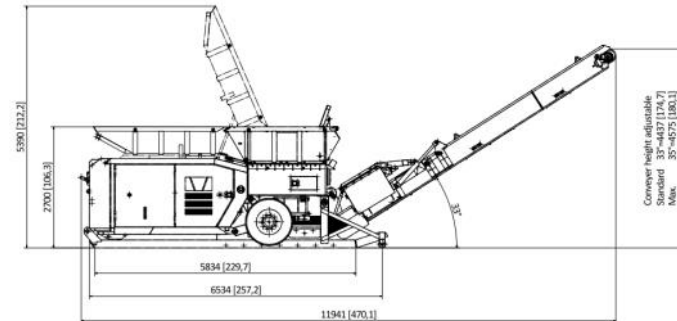


# VB 750 D

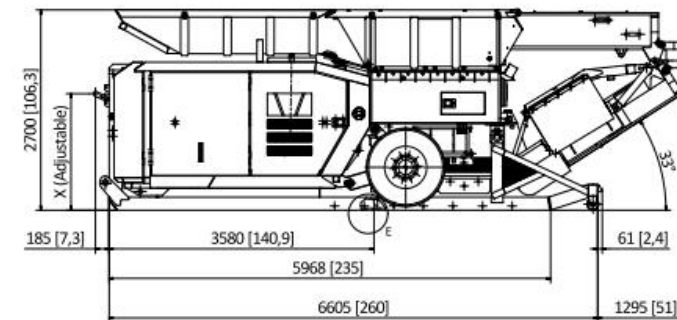


Drive*	
Engine	354 PS (264 kW) CAT C9.3 Tier4i
max. torque	240.000 Nm
Engine speed in rpm	1.900
Fuel capacity in liter (l)	470
Discharge belt*	
discharge height in mm	4.400 bei 33°
belt width in mm	1.400
shafts*	
working length in mm	1.497
total length in mm	1.874
shaft diameter in mm	650
rotation of shafts in min-1	8 - 33
wear plates	installed on both sides
Hopper*	
Hopper volume in m <sup>3</sup>	7
Main & tilting hopper	Tilting hopper with surface for long materials
Dimensions & Weight*	
working dimension LxBxH	12,0 x 2,5 x 5,4
transport dimension LxBxH	8,0 x 2,5 x 2,7
weight in tons (t)	19 + 2 (magnet)
Speial Features	
<ul style="list-style-type: none"> <li>• Easy to use" Steuerung (mobile SPS)</li> </ul>	

## WORKING POSITION



## TRANSPORT POSITION



\* approx. values, depending on configuration, without engagement